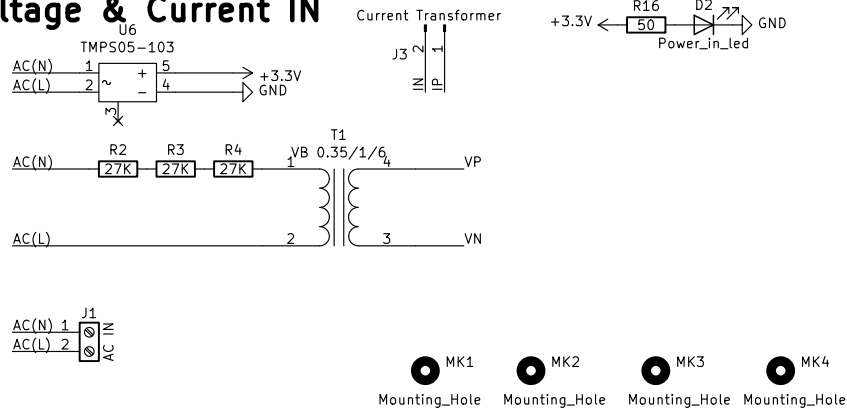
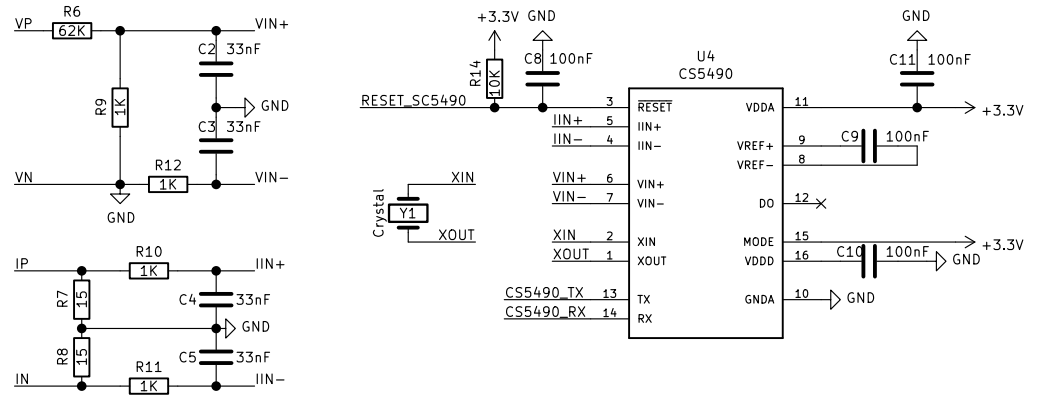


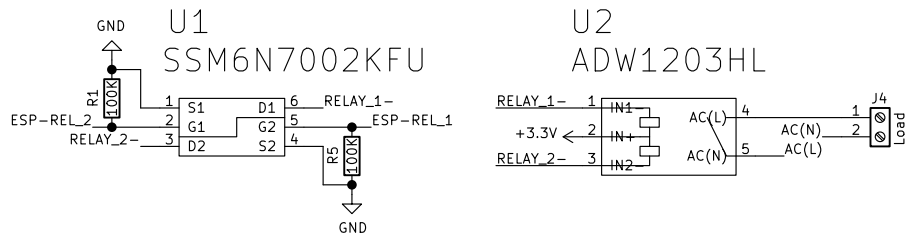
Voltage & Current IN



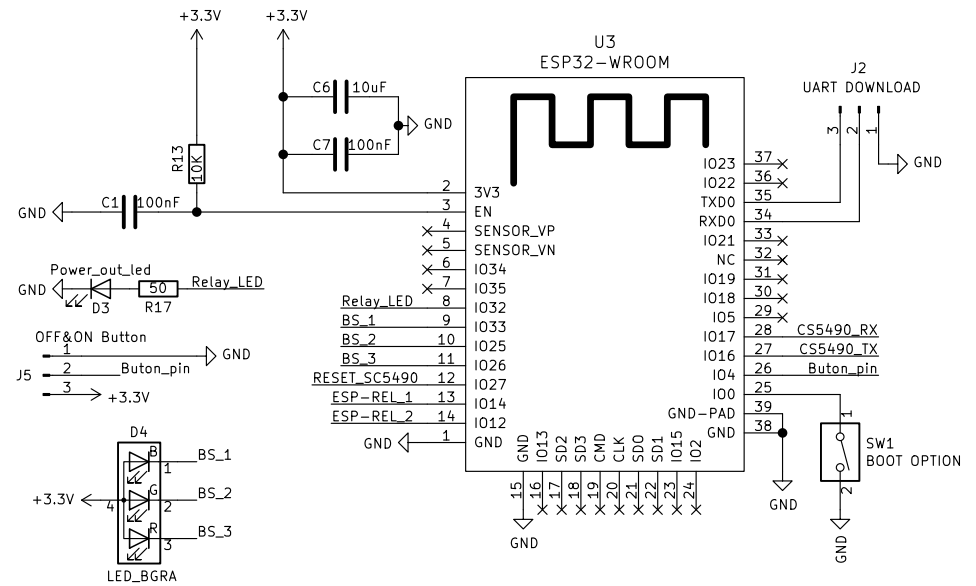
Power Measuring Chip – CS5490



Relay Switch



ESP32-WROOM-32D



RIOT

Sheet: /
File: Protopaja2019 P6.sch

Title: Protopaja 2019

Size: A4 Date: 2019-08-21

KiCad E.D.A. kicad (5.0.0-rc2-60-gbfa89039c)

Rev:

Id: 1/1